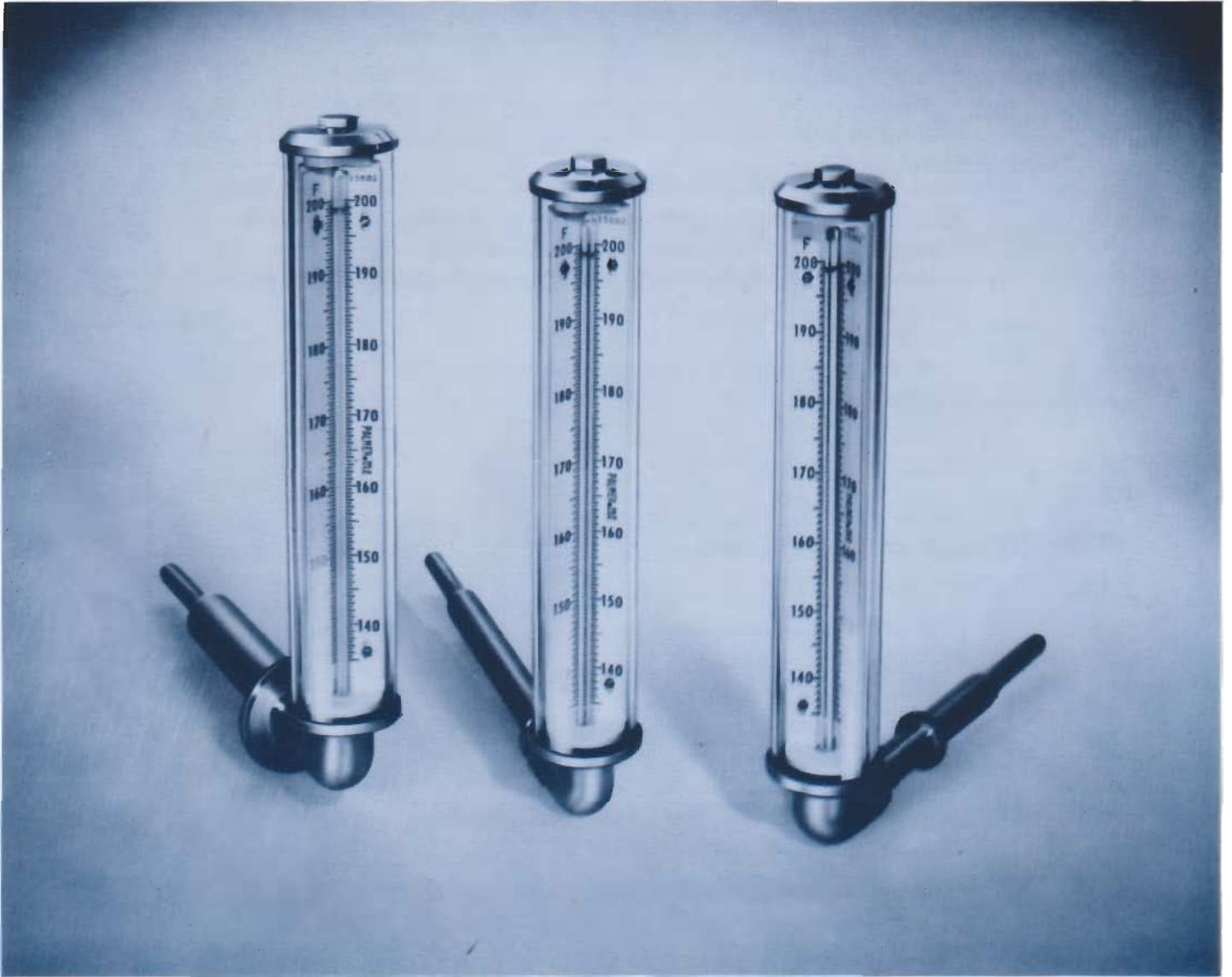


CLEANLINER

DAIRY THERMOMETERS

Bulletin 7000G



PALMER INSTRUMENTS, INC.

234 WEAVERVILLE HIGHWAY
PHONE (828) 658-3131

ASHEVILLE, N.C. 28804
FAX (828) 658-0728

CLEANLINER Thermometers

The Cleanliners' construction has been the Dairy Industry's choice for over 35 years. This durable corrosion free design is a guarantee for accurate dependable service.

- * Hermetically sealed case prevents scale corrosion and condensation from forming inside the case housing. Dirt and moisture cannot enter. Thus, the entire thermometer may be immersed for washing.
- * One piece construction 304 stainless steel stem cannot corrode. No cracks or crevices prevents bacterial contamination.
- * Durable plastic case housing offers maximum viewing of tube and scale.
- * The Red-Reading-Mercury tubing means easy reading. Each tube is thoroughly annealed and aged to insure permanent accuracy and then individually calibrated. All Cleanliner Thermometers have over range protection to 220° F.
- * Large black lines & numbers on white scale for accurate reading.

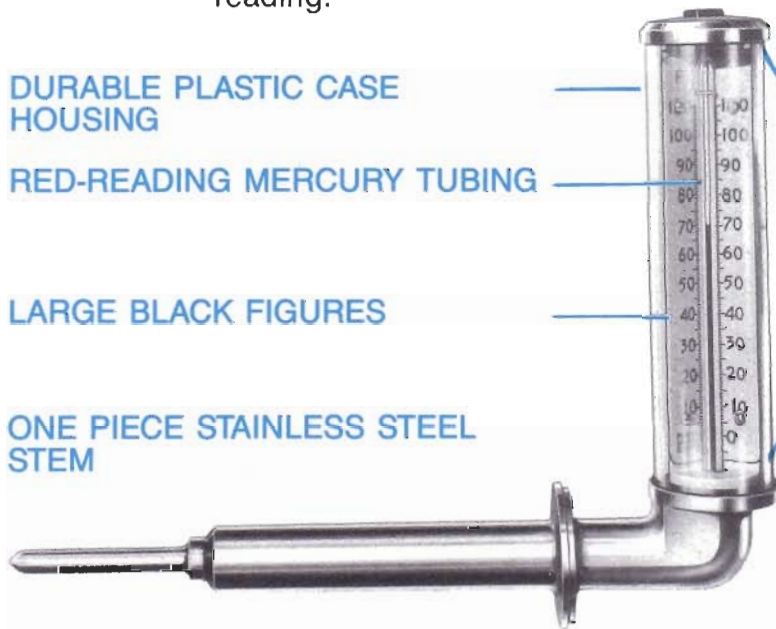
DURABLE PLASTIC CASE HOUSING

RED-READING MERCURY TUBING

LARGE BLACK FIGURES

ONE PIECE STAINLESS STEEL STEM

HERMETICALLY SEALED CASE



HOW TO ORDER CLEANLINER THERMOMETERS

ORDER CLEANLINER BY THE CATALOG NO.
THE LAST 2 DIGITS OF THIS NUMBER IS THE RANGE CODE

WHEN ORDERING SPECIAL RANGES OR RANGES
NOT LISTED WITH A SPECIFIC MODEL NO.
REPLACE THESE 2 DIGITS WITH YOUR DESIRED
RANGE CODE.

CLEANLINER Thermometers

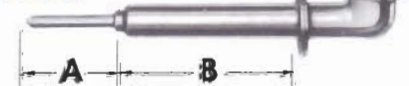
Temperature Range Code

CODE	RANGE	°DIV
72	+ 10 + 110°F	1°
73	+ 20 + 220°F	2°
75	+ 135° + 200°F	1/2°
76	Double Scale: + 30 + 110° & + 130 + 210°F	2° & 1°
99	Special	

3A1 and 3A2 Fittings For Side Connected Vats and Pasteurizers - 10" Scales

RANGE °F	STEM: "A" = 3 1/2" "B" = 4 5/16"			STEM: "A" = 3 1/2" "B" = 6"		
	STEM FORM			STEM FORM		
	90° Angle	R. Side Angle	L. Side Angle	90° Angle	R. Side Angle	L. Side Angle
+ 10 + 110°	20EM46772					
+ 20 + 220°	20EM46773	21EM46773	22EM46773	20EM46873		
Double Scale: + 30 + 110° & + 130 + 210°	20EM46776	21EM46776	22EM46776	20EM46876	21EM46876	22EM46876

22EM467



3A3 Umbrella Fitting For Vats with Top Opening - 10" Scales

RANGE °F	STEM FORM: STRAIGHT			
	STEM "A"			
	22 15/16"	27 5/8"	33 11/16"	42 15/16"
+ 10 + 110	6EM47272			
Double Scale: + 30 + 110° & + 130 + 210	6EM47276	6EM47376	6EM47476	6EM47576

6EM47272 Replaces 7EM23471

3A3 Umbrella Fitting For Foam and Air Space - 10" Scales

RANGE °F	STEM FORM: STRAIGHT	
	STEM "A"	
	5"	7 1/4"
+ 135 + 200	8EM47075	8EM47175



8EM470



6EM472

CLEANLINER Thermometers

3A4 Fittings For Use in Milk Pipe Lines - 10" Scales

RANGE °F	STEM: "A" = 5 1/2"			
	STEM FORM			
	STRAIGHT	90° Angle	R. Side Angle	L. Side Angle
+ 10 + 110	8EM46672			
+ 20 + 220	8EM46673	20EM46673	21EM46673	22EM46673
+ 135 + 200	8EM46675	20EM46675	21EM46675	22EM46675
Double Scale: +30 + 110 & +130 + 210	8EM46676			

8EM466



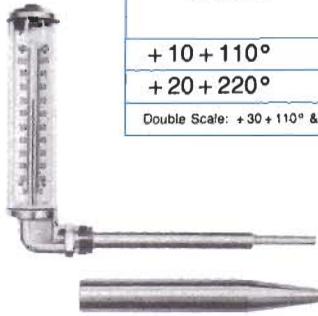
SPLIT FERRULES

LINE SIZE	CATALOG NUMBER	LINE SIZE	CATALOG NUMBER
1 1/2"	85S34	3"	85S37
2"	85S35	4"	85S39
2 1/2"	85S36		



For Vats, Pasteurizers, etc. Equipped with "Projectile" Wells - 10" Scales

RANGE °F	3A7 STEM: "A" = 9 1/8"			3A8 STEM: "A" = 12 1/8"		
	STEM FORM			STEM FORM		
	90° Angle	R. Side Angle	L. Side Angle	90° Angle	R. Side Angle	L. Side Angle
+ 10 + 110°	20ES43172	21ES43172	22ES43172			
+ 20 + 220°	20ES43173	21ES43173	22ES43173	20ES43273	21ES43273	22ES43273
Double Scale: +30 + 110° & +130 + 210°	20ES43176	21ES43176	22ES43176	20ES43276	21ES43276	22ES43276



21ES432

"Projectile" Wells

STEM	NUMBER
9 1/8"	26P397
12 1/8"	26P398

TEST THERMOMETERS

CERTIFICATE TEST POINTS

32°, 40°, 98°, 143°, 160°

For Inspectors Thermometer

MODEL NO. 14572-TR

MODEL NO. 13200



TUBE WITH CASE	USE	FEATURES	REFILL TUBE ONLY	STYLE	RANGE	DIV.	LENGTH
13200	Pasteurizing	"Red-Reading Mercury"	13300	Lens	-20 + 120°F	2°	5 1/4"
13204	Gen. Milk Test		13304		0 + 220°F		
14572T	Inspectors		14572TR		+2 + 220°F	1°	14"

PALMER INSTRUMENTS, INC.

234 WEAVERVILLE HIGHWAY ASHEVILLE, N.C. 28804

PHONE (828) 658-3131 FAX (828) 658-0728

<http://www.palmerinstruments.com>